

IS23SC4439 User Manual



Integrated Silicon Solution, Inc.

Copyright Notice and Proprietary Information

Copyright © 2005 Integrated Silicon Solution, Inc. All rights reserved. This documentation is owned by Integrated Silicon Solution, Inc., and furnished under a license agreement. The documentation may be used or copied only in accordance with the term of the license agreement. No part of the documentation may be reproduced, transmitted, or translated, in any form or by any means, electronic, mechanical, manual, optical, or otherwise, without prior permission of Integrated Silicon Solution, Inc. or as expressly provided by the license agreement.

Table of contents

1. Features4

2. General Description4

3. Typical Transaction Time4

4. RF Coil Specification4

5. Functional Description5

 5.1 Block Description.....5

 5.2 Communication Principle.....5

 5.2.1 REQUEST / REQUEST ALL6

 5.2.2 ANTICOLLISION LOOP.....6

 5.2.3 SELECT CARD6

 5.2.4 TRIPLE PASS AUTHENTICATION7

 5.2.5 MEMORY OPERATIONS7

 5.3 Command Set7

 5.3.1 COMMAND TABLE.....7

 5.3.2 STATE MACHINE.....8

 5.3.3 COMMAND DESCRIPTION8

 5.3.3.1 Request Standard.....8

 5.3.3.2 Request All.....8

 5.3.3.3 Anti-collision.....9

 5.3.3.4 Continue Anti-collision.....9

 5.3.3.5 Select Card9

 5.3.3.6 Authen A|B.....9

 5.3.3.7 Read.....10

 5.3.3.8 Write.....10

 5.3.3.9 Halt.....11

 5.3.3.10 Decrement/Increment.....11

 5.3.3.11 Restore.....12

 5.3.3.12 Transfer12

 5.4 Data Integrity13

 5.5 Security13

5.6 RF Interface.....	13
5.7 Memory Organization	14
5.7.1 MANUFACTURER BLOCK.....	14
5.7.2 DATA BLOCK	15
5.7.3 SECTOR TRAILER (BLOCK 3)	15
5.8 Memory Access.....	16
5.8.1 ACCESS CONDITIONS FOR THE SECTOR TRAILER	16
5.8.2 ACCESS CONDITIONS FOR DATA BLOCKS.....	17
6. Characteristics	18
7. Ordering information	18
8. Revision History.....	18
FIG. 1 RF COIL	5
FIG2 BLOCK DIAGRAM	5
FIG3 COMMUNICATION FLOW	6
TABLE 1 COMMAND SET	7
FIG. 4 AUTHENTICATION MECHANISM.....	13
TABLE 2 MEMORY ORGANIZATIONS	14
TABLE 3 MANUFACTURER BLOCK.....	15
TABLE 4 DATA BLOCK.....	15
TABLE 5 SECTOR TRAILER	16
TABLE 6 MEMORY OPERATIONS	16
TABLE 7 SECTOR TRAILER ACCESS CONDITIONS.....	17
TABLE 8 DATA BLOCKS ACCESS CONDITIONS.....	18

1. Features

- Contactless transmission of data and supply energy
- Up to 100mm operation distance
- 13.56MHz operating frequency
- 106k bit/s data rate
- High level security data communication
- True anti-collision
- 1k bytes EEPROM, organized in 16 sectors with 4 blocks of 16 bytes each
- User definable access condition for each memory block
- Data retention > 10 years
- Write endurance 1,000,000 cycle typically
- Typical ticketing transaction < 100ms
- Three pass authentication (ISO/IEC DIS9798-2)
- Data encryption on RF-channel with replay attack protection
- Two keys per sector (per application) to support multi-application with key hierarchy
- Unique serial number for each device
- Transport key protects access to EEPROM on chip delivery
- Conform to ISO/IEC14443A standard
- Operation temperature range -25 to +70C

2. General Description

IS23SC4439 is contactless smart card IC compliant to ISO/IEC 14443A standard with 0.35um CMOS EEPROM process technology. IS23SC4439 has 1k bytes EEPROM. It has high performance security functions and contactless communication functions. IS23SC4439 can be used in payment card, public transportation card and many other applications.

3. Typical Transaction Time

- Identification of a card select: 2.5ms (incl. Answer to Request, Anticollision and Select)
- Authentication: 2ms
- Read block (16 bytes): 2.5ms (excl. Authentication)
- Write block + Control Read: 4ms (excl. Authentication)
- Write block: 3.2ms (excl. Authentication)
- Increment: 2.5ms (excl. Authentication)
- Decrement: 2.5ms (excl. Authentication)
- Transfer: 3.2ms (excl. Authentication)
- Restore: 2.5ms (excl. Authentication)
- Typical ticketing transaction: < 100ms

4. RF Coil Specification

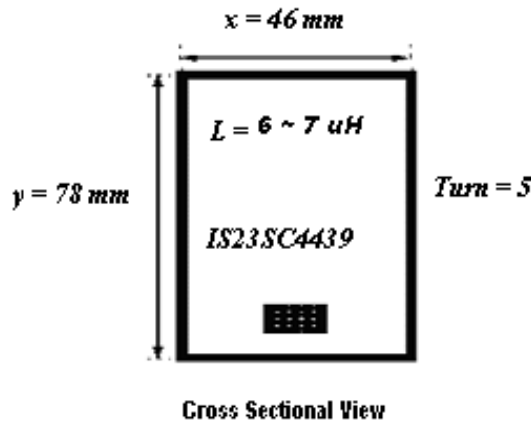


Fig. 1 RF Coil

5. Functional Description

5.1 Block Description

IS23SC4439 chip consists of 1k bytes EEPROM, RF Interface and Digital Control Unit. Energy and data are transferred via an antenna, which consists of a coil with a few turns directly connected to IS23SC4439. No further external components are necessary.

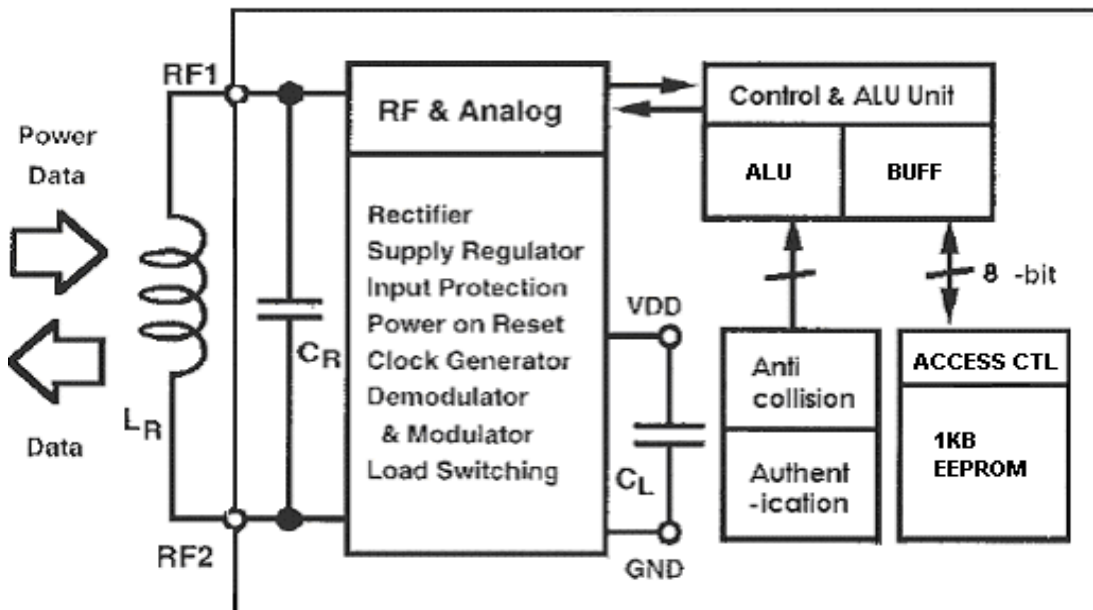


Fig2 Block Diagram

5.2 Communication Principle

The commands are initiated by PCD (Proximity Coupling Device) and controlled by the Digital Control Unit of IS23SC4439 according to the access conditions valid for the corresponding sector.

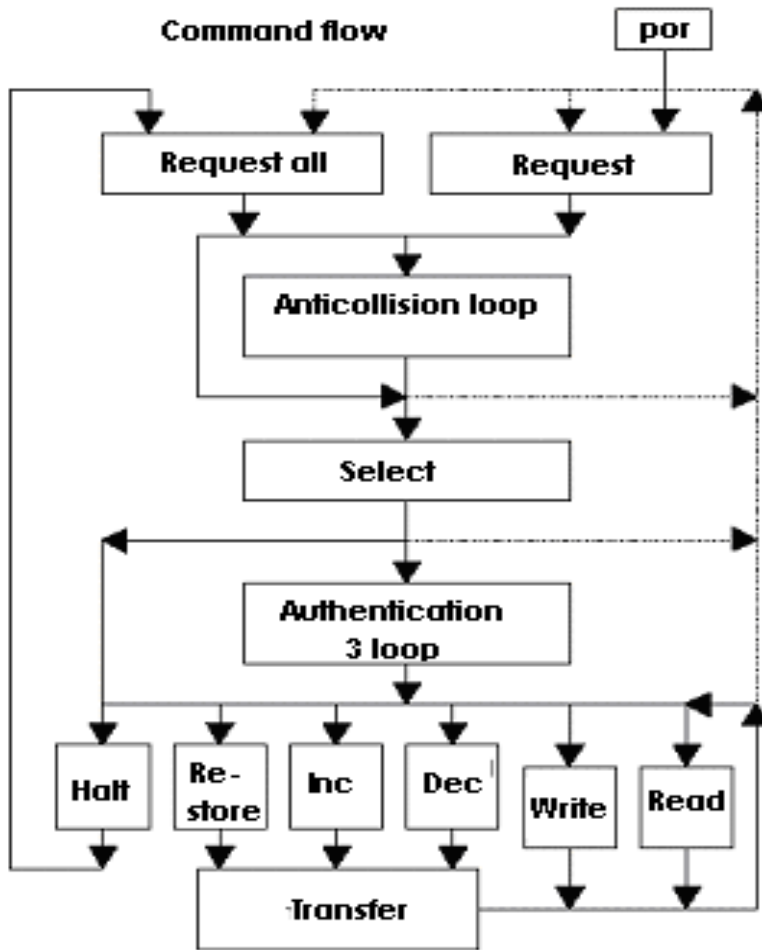


Fig3 Communication Flow

5.2.1 REQUEST / REQUEST ALL

After Power On Reset (POR), PICC can answer to a request command sent by PCD to all PICCs in the antenna field with ATQA (answer to request) code according to ISO/IEC 14443A.

5.2.2 ANTICOLLISION LOOP

The serial number of a PICC is read in the anti-collision loop. If there is more than one PICC in the operating range of PCD, PICCs can be identified by their unique serial numbers and one of them can be selected for further transactions. The unselected PICCs return to the standby mode and wait for a new request command.

5.2.3 SELECT CARD

With the 'Select Card' command PCD select one PICC for authentication and memory related operations. PICC returns ATS (Answer To Select) code indicating the type of the selected PICC to PCD.

5.2.4 TRIPLE PASS AUTHENTICATION

After selection of a PICC, PCD specifies the memory access locations and use the corresponding key for the triple pass authentication procedure. After a successful authentication, all memory operations are encrypted

5.2.5 MEMORY OPERATIONS

After authentication the following operations can be preformed:

- Read: Read a block data (16 bytes)
- Write: Write a block data (16 bytes)
- Decrement: Decrement the contents of a block and store the result in a temporary internal data-register
- Increment: Increment the contents of a block and store the result in the internal data-register
- Restore: Move the contents of a block into the internal data-register
- Transfer: Write the contents of the temporary internal data-resister to a value block

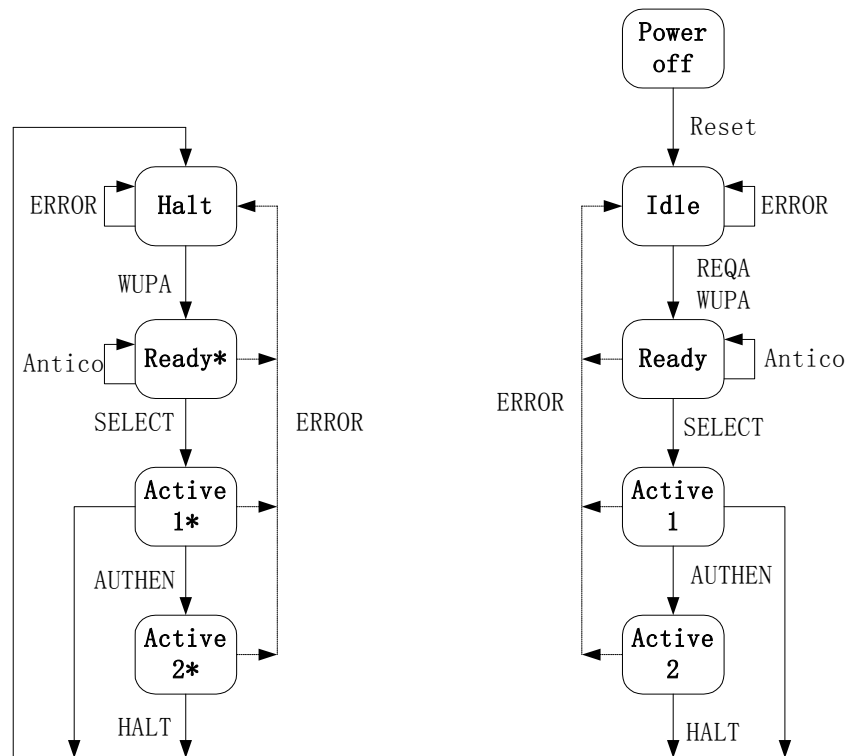
5.3 Command Set

5.3.1 COMMAND TABLE

<i>Command Name</i>	<i>Code</i>	<i>Brief Description</i>
Request Standard	26	Search Idle PICC in field
Request All	52	Search all PICCs in field
Anti-collision	93 xx	Waiting PICC ID feed back
Select Card	93 70	Select PICC
Authen A	60 xx	Authentication with keyA
Authen B	61 xx	Authentication with keyB
Read	30 xx	Read a block data (16 bytes)
Write	A0 xx	Write a block data (16 bytes)
Increment	C1 xx	Increment the contents of a block and store the result in the data-register
Decrement	C0 xx	Decrement the contents of a block and store the result in a temporary internal data-register
Restore	C2 xx	Move the contents of a block into the data-register
Transfer	B0 xx	Write the contents of the temporary internal data-resister to a value block
Halt	50 00	Put PICC into halt state

Table 1 Command Set

5.3.2 STATE MACHINE



5.3.3 COMMAND DESCRIPTION

5.3.3.1 Request Standard

- 1) 'Request Standard' command is executed in Idle state.
- 2) PCDs send 0x26 LSB 7 bits, without parity bit and CRC.
- 3) Normally after PICC receives the command "Request Standard" from PCD, it responds PICC's TYPE information (byte6 and byte7 of block0) with parity bit and CRC, the total response is 18 bits, and then PICC shifts into Ready state and waits for 'Anti-collision' command. PICC will respond nothing and stay at Idle state in case of any errors.

5.3.3.2 Request All

- 1) 'Request All' command is executed in Idle state or Halt state.
- 2) PCD sends 0x52 LSB 7 bits without parity bit and CRC.
- 3) Normally after PICC receives the command "Request All" from PCD, it responds PICC's TYPE information (byte6 and byte7 of block0) with parity bit and CRC, the total response is 18 bits, and then PICC shifts into Ready state and waits for 'Anti-collision' command. PICC will respond nothing and stay at Idle state or Halt state in case of any errors.

5.3.3.3 Anti-collision

- 1) 'Anti-collision' command is executed in Ready state.
- 2) PCD sends 0x93 20 with parity bit and without CRC.
- 3) Normally after PICC receives command from PCD, it responds UID+BCC (in block0 of sector0) with parity bit and without CRC (45 bits totally), after that PICC stays at Ready state and wait for 'Anti-collision' or 'Select Card' command, until the 'Select Card' command UID parameter match the chip UID. PICC will respond nothing and go back to Idle state in case of any errors

5.3.3.4 Continue Anti-collision

- 1) 'Continue Anti-collision' command is executed in Ready state.
- 2) PCD sends 0x93, 0xNM, and followed by specified partial UID data with parity bit and without CRC. Where: $N = 2 + (\text{All following UID/BCC byte number})$, $M = (\text{All following UID/BCC bit number}) - 8 * (\text{the following UID/BCC byte number})$.
- 3) Normally after PICC receives command from PCD, if PICC UID can match the specified partial UID followed after the 93NM, PICC responds the rest UID and BCC data in EEPROM with parity bit and without CRC, after that stays at Ready state and waits for new anti-collision command. Otherwise PICC will respond nothing and go back to Idle or Halt state. Please refer to ISO/IEC 14443-3 for detail process.

5.3.3.5 Select Card

- 1) 'Select Card' command is executed in Ready state.
- 2) PCD sends 0x93, 0x70, plus all UID+BCC with parity bit and CRC.
- 3) Normally after PICC receives 'Select Card' command, if the 4 bytes UID and BCC code match chip UID, chip verifies the parity bit and CRC, if no error found, PICC responds the byte5 of block0 in sector0 to indicate the EEPROM size with parity bit and CRC, after that PICC goes to Active1 state and waits for the authentication command or Halt command. PICC will respond nothing and go back to Idle state in case of any errors.

5.3.3.6 Authen A|B

- 1) 'Authen A|B' command is executed in Active 1 state, it includes 2 communication stages, called triple pass authentication process according to ISO/IEC 9798-2.

The first interactive:

- 2) PCD sends 0x60|61, 0xXX, where XX is sector and block definition with CRC and parity bit.

- 3) Normally after PICC receives the command 0x60/61 from PCD, PICC responds 4 bytes random code RB with parity bit and without CRC. If sector error, PICC responds 4 bits 0x4 error code. If CRC or parity bit error occurs, PICC responds 4 bits 0x5 error code. If other error occurs such as received byte does not match 4 bytes, PICC responds nothing. PICC always goes back to Idle state or Halt state in case of any errors.

The second interactive:

- 4) PCD sends TokenAB to PICC including 4 bytes RA and 4 byte RB' with parity bit and without CRC. After that all information transformed between PCD and PICC will be ciphered and keep secret.
- 5) Normally PICC decrypts RA first, and shifts RA into key generator (48-bit shifter) with feedback switch closed, then continue to decrypt RB' and compare with internal RB', if they are equal, PICC responds ciphered random number RB'' with parity bit and without CRC, after that PICC will go to Active2 state and wait for new command. PICC will respond nothing and go to Idle state or Halt state in case of errors.

5.3.3.7 Read

- 1) 'Read' command is executed in Active2 state. The parameter is the block and sector address of EEPROM. In Active2 state the read access control condition is determined by the sector trailer byte stored in the block3 of corresponding EEPROM sector. For block0 of sector0, it is manufacture block and always can be read in Active2 state. If PCD tries to read protected block in Active2 state, PICC responds 4 bits error code 0x4 to PCD and then goes to Idle state or Halt state. If CRC error or parity bit error occurs, PICC responds 4 bits error code 0x5 to PCD, and returns to Idle state.
- 2) PCD sends 0x30, 0xXX with parity bit and CRC.
- 3) Normally PICC responds EEPROM 16 bytes block data to PCD with parity bit and CRC, if the block is read protected according to access condition stored in block3, PICC responds 4 bits error code 0x4, after that stays at Active2 state and waits for new command. If CRC error or parity bit error occurs, PICC responds 4 bits error code 0x5. If command is error, PICC responds nothing, all kind of errors will put PICC into Idle state or Halt state.

5.3.3.8 Write

- 1) 'Write' command is executed in Active2 state. The parameter is the block and sector address of EEPROM. In Active2 state the write access control condition is determined by the sector trailer byte stored in the block3 of

corresponding EEPROM sector. If PCD tries to write protected block in Active2 state, PICC responds 4 bits error code 0x4 and goes to Idle state or Halt state. In the first interactive process, if CRC error or parity bit error occurs, PICC responds 4 bits error code 0x5 to PCD, in case of other errors such as sector/block address error or access bit format error or command error, PICC responds 4 bits error code 0x4 to PCD, after that PICC goes to Idle state or Halt state. Note: block0 of sector0 (manufacture block) is read only for user in Active2 state. This command has two interactive processes.

The first interactive:

- 2) PCD sends 0xA0 and block/sector address to PICC with parity bit and CRC. All data is ciphered in Active2 state.
- 3) If the access condition says the block is writable, PICC responds 4 bits ok code 0xA without parity bit and CRC, then waits for data to be written. Otherwise, responds 4 bits error code 0x4 and then goes to Idle state or Halt state. All response is ciphered.

The second interactive:

- 4) PCD sends 16 bytes ciphered data to PICC with parity bit and CRC.
- 5) If write is successful, PICC responds 4 bits ciphered ok code 0xA, and then stays at Active2 state and waits for new command. If parity bit error or CRC error occurs, it responds 4 bits ciphered error code 0x1. If the data length is error, PICC responds nothing. All kind of errors will put PICC into Idle state or Halt state.

5.3.3.9 Halt

- 1) 'Halt' command is executed in either Active1 state or Active2 state. In Active1 state, command and response is not encrypted, however in active2 state, it will be encrypted.
- 2) PCD sends command 0x50 00 to PICC with parity bit and CRC.
- 3) Once receiving the HALT command correctly in Active1 state or Active2 state, PICC goes to Halt state without any response, and keep waiting for 'Request All' command. If parity bit error or CRC error occurs, PICC responses 4 bits error code 0x5, if command error, PICC responds 4 bit error code 0x4. All kind of errors will put PICC into Idle state or Halt state.

5.3.3.10 Decrement/Increment

- 1) 'Decrement/Increment' command is executed in Active2 state. It can be applied on block0, block1 and block2. The block/sector address will be the command parameter. The command has two interactive processes.

- 2) PCD sends ciphered command 0xC0/C1 and block/sector address to PICC with parity bit and CRC.
- 3) If the corresponding block and sector can be increased or decreased, PICC responds 4 bits OK code 0xA. If the block can not be increased or decreased, or the access condition byte format error, or block/sector address error, or command error, or data inc/dec overflow error occurs, PICC responds 4 bits error code 0x4. If parity bit or CRC error occurs, error code is 4 bits 0x5. PICC will go back to Idle state or Halt state in case of any errors.
- 4) PCD sends 4 bytes ciphered inc/dec data with parity bit and CRC to PICC.
- 5) If the data format is correct and no error occurs, PICC responds nothing, then loads the data into buffer and calculates the inc/dec result and keeps the result in the buffer, after that stays at Active2 state and waits for new command. If overflow error occurs, PICC responds 4 bits error code 0x4, if CRC and parity bit error occurs, PICC responds 4 bits error code 0x1. PICC will go back to Idle state or Halt state in case of any errors.

5.3.3.11 Restore

- 1) 'Restore' command is executed in Active2 state. Block/ sector address will be the command parameter.
- 2) PCD sends the ciphered command 0xC2 and block/sector address to PICC with parity bit and CRC.
- 3) If the corresponding sector and block can be restored, PICC loads EEPROM data that PCD indicated in command into buffer, and responds 4 bits ok code 0xA, after that stays at Active2 state and waits for new command. If the block cannot be restored, or the address error, or command error, or access condition byte error, PICC responds 4 bits error code 0x4. If the CRC and parity bit error occurs, PICC responds 4 bits error code 0x5 to PCD. All kind of errors will put PICC into Idle state or Halt state.

5.3.3.12 Transfer

- 1) 'Transfer' command is executed in Active2 state. It transfers the data from internal buffer into EEPROM.
- 2) PCD sends ciphered command 0xB0 and block/sector address to PICC with parity bit and CRC. Block/sector address parameter indicates the destination of transferring to.
- 3) If the target address block can be transferred, PICC writes the data of internal buffer into EEPROM, and responds 4 bits OK code 0xA to PCD, then stays at Active2 state and waits for new command. If the block can

not be transferred, or address error, or command error, or access condition byte format error, PICC responds 4 bits error code 0x4. If parity bit or CRC error occurs, PICC responds 4 bits error code 0x5. All kind of errors will put PICC into Idle state or Halt state.

5.4 Data Integrity

To ensure reliable data transmission, following mechanisms are implemented in the contactless communication link between PCD and PICC:

- 16 bits CRC per block
- Parity bits for each byte
- Bit count checking
- Bit coding to distinguish between "1", "0", and no information
- Channel monitoring

5.5 Security

To provide high secure level, the triple pass authentication according to ISO 9798-2 is used in the following sequence:

- a. PCD specifies the sector to be accessed and chooses key A or B.
- b. PICC reads the secret key and access conditions from the sector trailer, then PICC sends a random number as the challenge to PCD (pass one).
- c. PCD calculates the Response using the secret key and additional input. The response, together with a random challenge from PCD, is then transmitted to PICC (pass two).
- d. PICC verifies the response of PCD by comparing it with its own challenge and then calculates the response to the challenge and transmits it (pass three).
- e. PCD verifies the response of PICC by comparing it to its own challenge.

Note: After transmission of the first random challenge the communication between PICC and PCD is encrypted.

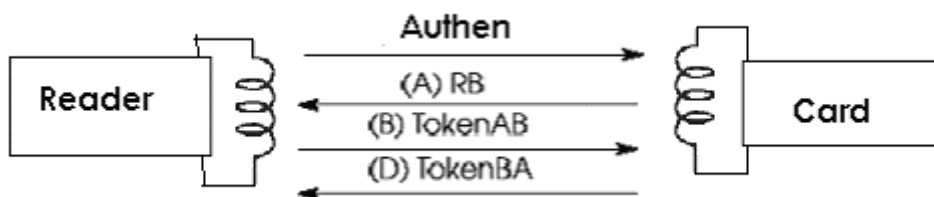


Fig. 4 Authentication Mechanism

5.6 RF Interface

The RF interface conforms to ISO/IEC 14443A standard. The carrier field from PCD is always present (with short pauses when transmitting). For both directions of data communication there is only one start bit at the beginning of each frame. Each byte is

transmitted with a parity bit at the end. The LSB of the byte with the lowest address of the selected block is transmitted first. The maximum frame length is 163 bits.

5.7 Memory Organization

The 1024 x 8 bit EEPROM memory is organized in 16 sectors with 4 blocks of 16 bytes each. In the erased state the EEPROM cells are read as a logical "1", in the written state as a logical "0".

Sector	Block	0	1	2	3	4	5	6	7	8	9	A	B	C	D	E	F
F	3 Trailer	KeyA						Access bits			KeyB						
	2 Data																
	1 Data																
	0 Data																
E	3 Trailer	KeyA						Access bits			KeyB						
	2 Data																
	1 Data																
	0 Data																
.	.																
	.																
	.																
	.																
	.																
1	3 Trailer	KeyA						Access bits			KeyB						
	2 Data																
	1 Data																
	0 Data																
0	3 Trailer	KeyA						Access bits			KeyB						
	2 Data																
	1 Data																
	0 Data	Manufacture Block															

Table 2 Memory Organizations

5.7.1 MANUFACTURER BLOCK

This is the first data block (block 0) of the first sector (sector 0). It contains the IC manufacturer data. Due to security and system requirements this block is write protected after having been programmed by the IC manufacturer at production.

MSB				LSB			
x	x	x	x	0	0	1	0

0	1	2	3	4	5	6	7	8	9	A	B	C	D	E	F
Serial Number				Check Byte		Manufacture Data									

Table 3 MANUFACTURER BLOCK

5.7.2 DATA BLOCK

All sectors contain 3 blocks of 16 bytes for storing data (Sector 0 contains only two data blocks and the read-only manufacturer block).

The data blocks can be configured by the access bits as:

- Read/Write blocks for e.g. contactless access control or
- Value blocks for e.g. electronic purse applications, where additional commands like increment and decrement for direct control of the stored value are provided.

An authentication command has to be carried out before any memory operation in order to allow further commands.

The value blocks allow electronic purse functions (valid commands: Read, Write, Increment, Decrement, Restore, Transfer). The value blocks have a fixed data format, which permits error detection and correction and a backup management. A value block can only be generated through a write operation in the value block format:

- Value: Signifies a signed 4-byte value. The lowest significant byte of a value is stored in the lowest address byte. Negative values are stored in standard 2's complement format. For reasons of data integrity and security, a value is stored three times. Twice non-inverted and once inverted.
- Adr: Signifies a 1-byte address, which can be used to save the storage address of a block when implementing a powerful backup management. The address byte is stored four times twice inverted and non-inverted. During Increment/ decrement, restore and transfer operations the address remains unchanged. It can only be altered via a write command.

Byte Number	0	1	2	3	4	5	6	7	8	9	A	B	C	D	E	F
Description	Value				Value				Value				Adr	Adr	Adr	Adr

Table 4 DATA BLOCK

5.7.3 SECTOR TRAILER (BLOCK 3)

Each sector has a sector trailer containing the secret keyA and keyB (optional), which return logical "0"s when read and the access conditions for the four blocks of that sector, which are stored from bytes 6 to byte 9. The access bits also specify the type {read/write or value} of the data blocks.

If key B is not needed, the last 6 bytes of block 3 can be used as data bytes.

Byte 9 of the sector trailer is available for user data. For this byte apply the same access rights as for byte 6, 7 and 8.

Byte Number	0	1	2	3	4	5	6	7	8	9	A	B	C	D	E	F
Description	KeyA						Access bits			KeyB (optional)						

Table 5 SECTOR TRAILER

5.8 Memory Access

Before any memory operation can be carried out, PICC has to be selected and authenticated as described previously. The possible memory operations for an addressed block depend on the key used and the access conditions stored in the associated sector trailer.

Memory Operations		
Operation	Description	Valid for Block Type
Read	Read one memory block	Value & Sector Trailer
Write	Write one memory block	Value & Sector Trailer
Increment	Increment the contents of a block and stores the result In the internal data register	Value
Decrement	Decrement the contents of a block and stores the result In the Internal data register	Value
Transfer	Write the contents of the internal data register to a block	Value
Restore	Read the contents of a block into the internal data register	Value

Table 6 Memory Operations

5.8.1 ACCESS CONDITIONS FOR THE SECTOR TRAILER

Depending on the access bits for the sector trailer (block 3) the read/write access to the keys and the access bits is specified as 'never', 'keyA', 'keyB' or 'keyA|B' {keyA or keyB}.

On chip delivery the access conditions for the sector trailers and keyA are predefined as transport configuration. Since keyB may be read in transport configuration. New PICC must be authenticated with keyA.

Since the access bits can also be blocked. Special care should be taken during personalization of PICC.

Access bits			Access Control Condition for					
			KeyA		Access bits		KeyB	
C1	C2	C3	read	write	read	write	read	write
0	0	0	never	keyA	keyA	never	keyA	keyA

0	0	1	never	keyA	keyA	keyA	keyA	keyA
0	1	0	never	never	keyA	never	keyA	never
0	1	1	never	keyB	keyA B	keyB	never	keyB
1	0	0	never	keyB	keyA B	never	never	keyB
1	0	1	never	never	keyA B	keyB	never	never
1	1	0	never	never	keyA B	never	never	never
1	1	1	never	never	keyA B	never	never	never

Table 7 SECTOR TRAILER ACCESS CONDITIONS

Note: the grey marked lines are access conditions where keyB is readable and may be used for data

5.8.2 ACCESS CONDITIONS FOR DATA BLOCKS

Depending on the access bits for data blocks (blocks 0...2) the read/write access is specified as 'never', 'keyA', 'keyB' or 'key A|B' (keyA or keyB). The setting of the relevant access bits defines the application and the corresponding applicable commands.

- Read/write block: The operations read and write are allowed
- Value block: Allows the additional value operations Increment, decrement, transfer and restore. In one case ('001 ') only read and decrement are possible for a non-rechargeable PICC. In the other case ('110') modification is possible by using key B
- Manufacturer block: The read-only condition is not affected by the access bits setting
- Key management: In transport configuration key A must be used for authentication

Access bits			Access Control Condition for				Application
C1	C2	C3	read	write	inc.	dec. transfer restore	
0	0	0	keyA B	keyA B	keyA B	keyA B	transport configuration
0	0	1	keyA B	never	never	keyA B	value block
0	1	0	keyA B	never	never	never	read/write block
0	1	1	keyB	keyB	never	never	read/write block
1	0	0	keyA B	keyB	never	never	read/write block
1	0	1	keyB	never	never	never	read/write block
1	1	0	keyA B	keyB	keyB	keyA B	value block
1	1	1	never	never	never	Never	read/write block

Table 8 DATA BLOCKS ACCESS CONDITIONS

If keyB may be read in the corresponding Sector Trailer, it cannot serve for authentication (all grey marked lines in previous table).

Consequences: if PCD tries to authenticate any block of a sector with keyB using grey marked access conditions, PICC will refuse any subsequent memory access after authentication.

6. Characteristics

PARAMETER	CONDITIONS	MIN.	TYP.	MAX.
Operating frequency			13.56MHz	
Input capacitance	25C, VCC = 3 V		16.5 pF	

7. Ordering information

Part Number

IS23SC4439-X00MCxxxW

IS23SC4439-X10MCxxxT

Package

Sorted Wafer

Tape & Reel Module

8. Revision History

<i>REV</i>	<i>History</i>	<i>Page</i>	<i>Date</i>
1.0	Initial Version	--	11/3/05
1.1	Minor Change	--	7/13/06